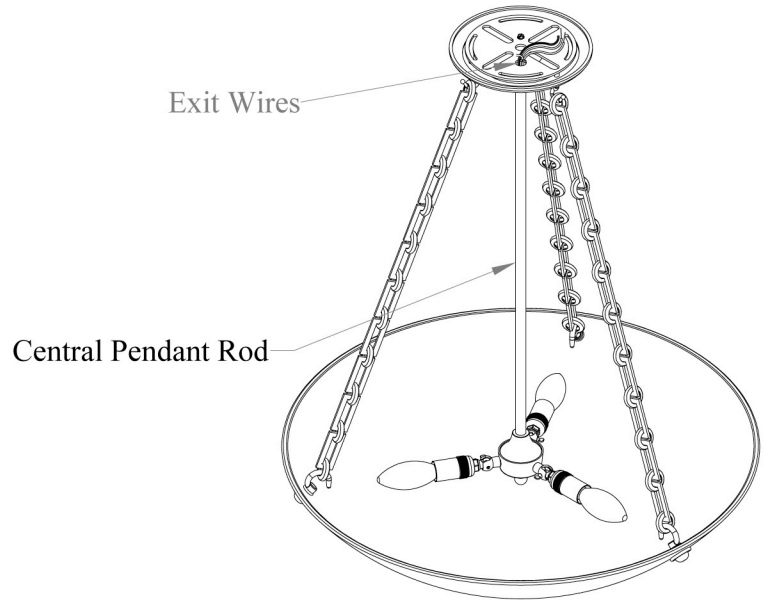
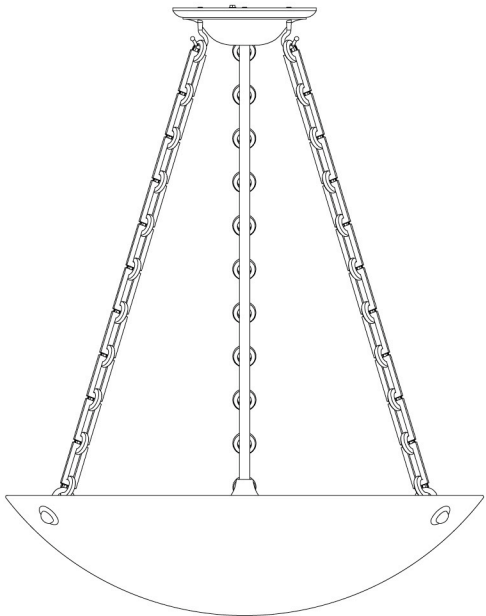


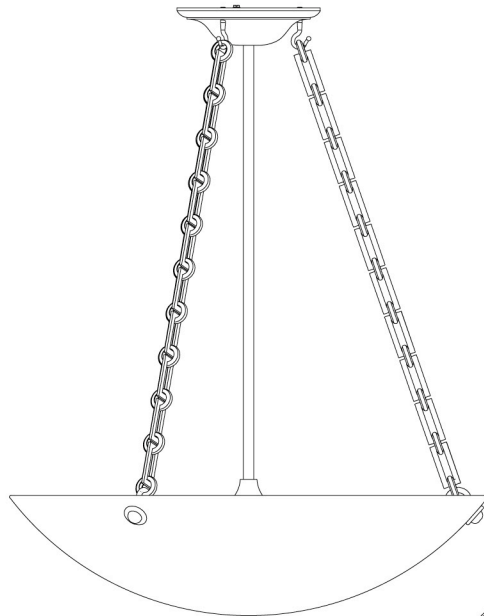
Top View



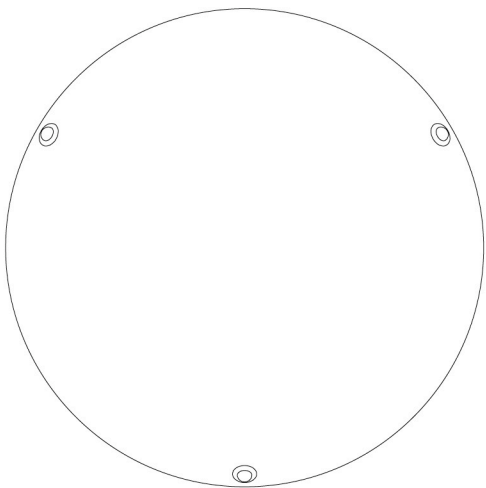
Isometric View



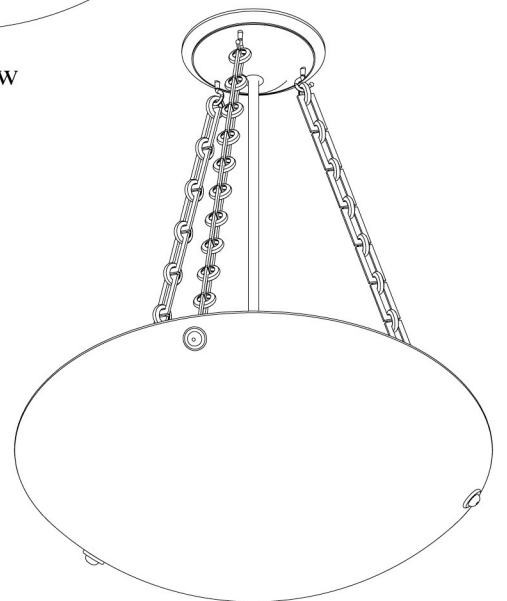
Front View



Right View



Bottom View



Isometric View